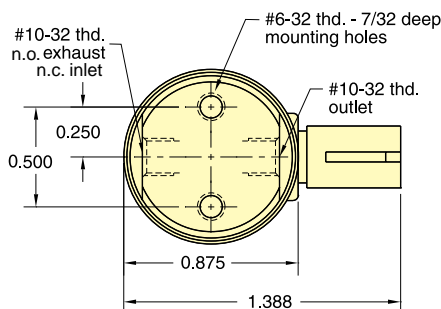




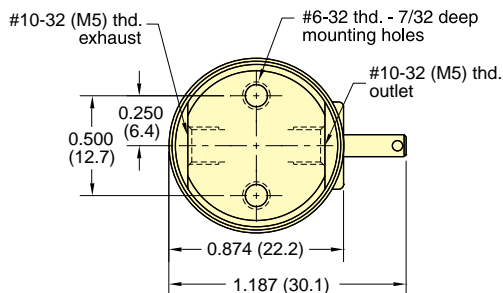
EV, ET, EC SERIES 3-WAY FULLY PORTED VALVES

IN-LINE MOUNT

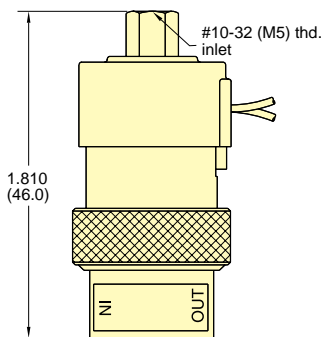
ECO - 3 - □ - □



ETO - 3 - □ - □



EVO - 3 - □ - □



Type: Fully Ported 3-Way

Medium: Air (40 micron filtration)

Temperature Range: 30° to 180°

Power Consumption: 0.67 watt

Response: 5 - 10 milliseconds

Mounting: In-line

Ports: #10-32 (M5)

Operating Range: 90% to 150% of rated voltage

Air Flow: 0.6 scfm @ 100 psig*;
15 l/min @ 7 bar

"L" option - 0.5 scfm @ 50 psig;
15 l/min @ 3.5 bar

"H" option - 0.45 scfm @ 25 psig;
14 l/min @ 3.8 bar

* When air supply is connected to the top port to operate valve normally open, main flow is 0.9 scfm and exhaust flow is 0.6 scfm at 100 psig.

Pressure Range:

28" Hg Vac. to 105 psig;
0-7 bar max

"L" option:

28" Hg Vac. to 50 psig;
0-3.5 bar max

"H" option:

28" Hg Vac. to 25 psig;
0-1.8 bar max

For Cable and Connectors, see Page 184.

NUMBERING SYSTEM

E □ O - 3 - □ - □ - □

C - Connector
T - Terminal Spades
V - Wire Leads

Voltages: *
6 - 6 Volts
12 - 12 Volts
24 - 24 Volts

Standard Options:
Blank - Standard orifice 0.025
L - 0.040 orifice
H - 0.060 orifice
V - Viton® seals
Non-Standard Options:
E - EPR seals
S - Silicon seals
D - Diode

M5 - Metric Version

* Consult factory for availability of non-standard voltages and other options